

GPRS14 Plug-in Communicator Module Installation Instructions

P ▲ R ▲ D O X™

The following document guides you through the steps required to install the GPRS14 Plug-in Communicator Module. For more information on how to setup the MG6250 console for GPRS, GSM and/or SMS reporting, please refer to the MG6250 Menu Programming Guide.

Description

The GPRS14 module is used to provide reporting via GPRS, GSM, and/or SMS to the MG6250 console. It also features dual SIM cards for provider redundancy. The GPRS14 module is mounted directly onto the MG6250 console's PCB.

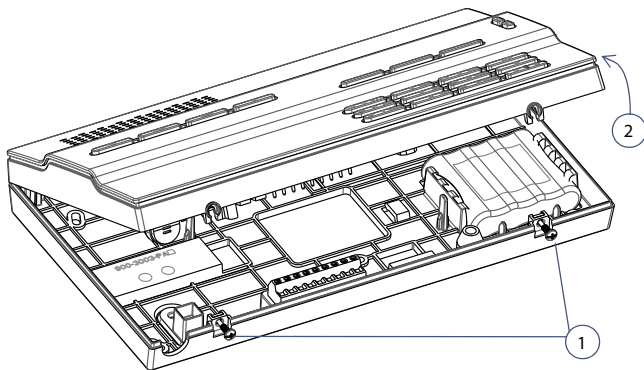
Installation Instructions

The following describe the steps required to install the GPRS14 module onto the PCB of the MG6250 Console.

NOTE: Before installing the GPRS14 module, disconnect all power to the unit.

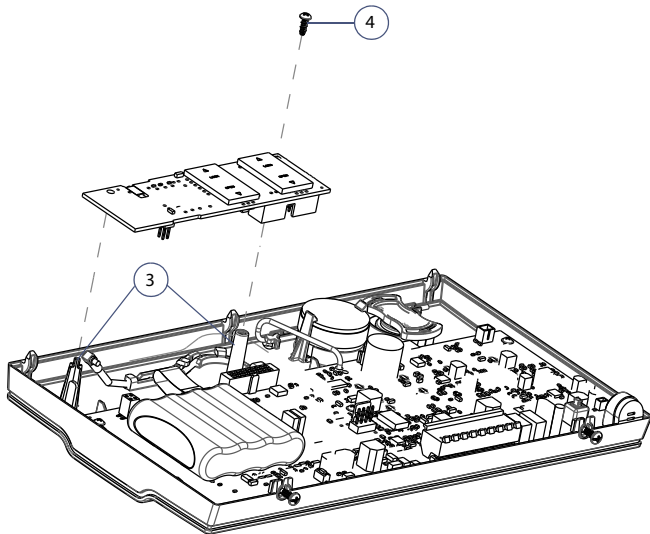
To Install the GPRS14 Module on the MG6250 Console

- 1) Unscrew the two bottom screws holding the top cover of the MG6250 console into place.
- 2) Lift and remove the front cover of the MG6250 console.



- 3) Place the GPRS14 module directly onto the MG6250's plastic mounting rods and align with the 18-pin female connector and snap into place.
- 4) Insert the screw provided into the plastic mounting rod; tighten using the appropriate screwdriver.

Once the GPRS14 module has been installed, re-assemble the MG6250 console and connect power to the unit.



What's Next

This completes the installation of the GPRS14 module. The next step is to configure the MG6250 console for reporting via the menu-driven user interface. Refer to the MG6250 Menu Programming Guide.